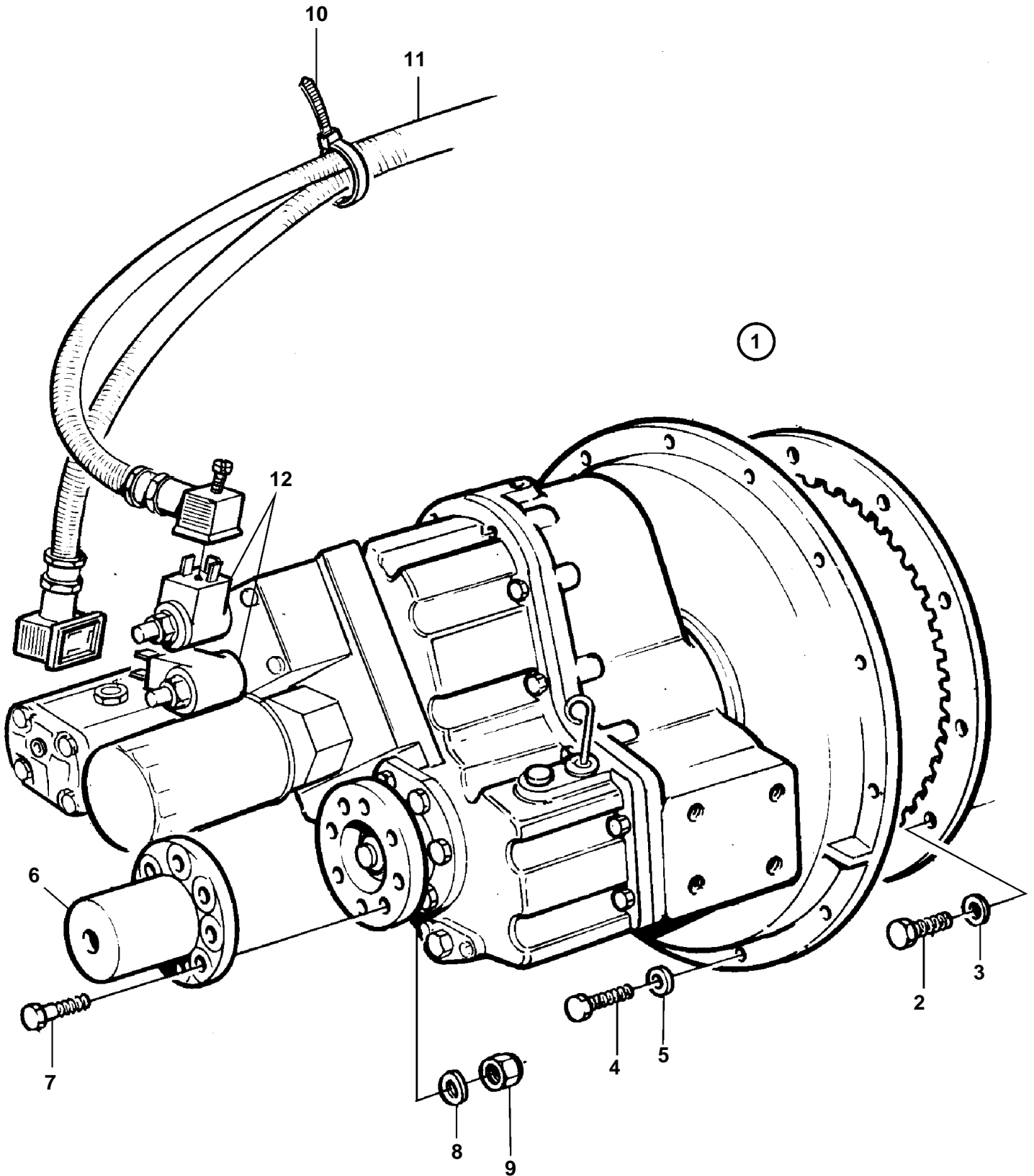


TAMD122P-B, TAMD122P-C



16762

TAMD122P-B, TAMD122P-C

REF	PART NO.	QTY	DESCRIPTION	NOTES
1		1	Reversing gear	RATIO 1.5:1
2	955562	8	Screw	
3	940280	8	Spring washer	
4	940134	12	Screw	
5	941909	12	Spring washer	
6	863994	1	Clutch flange	Pre-drilled 30 mm. Max shaft 80 mm.
7	955739	8	Screw	
8	941912	8	Spring washer	
9	950378	8	Nut	
10	948211	2	Strip clamp	
11	873827	1	Cable kit	
12	3826414	2	Solenoid	